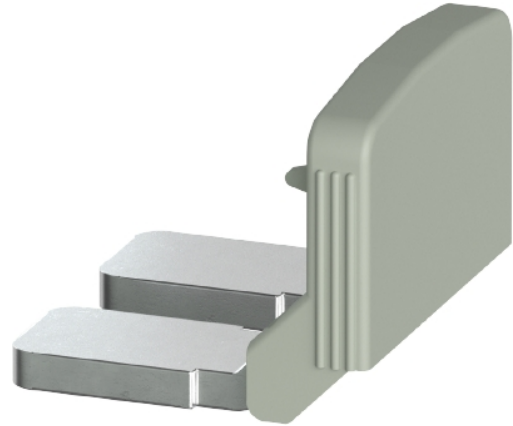


## Data sheet

Commercial Art.No.: 0D.S95.3227.0

insert bridge IVB WTN 95-2 IN

insert bridge IVB WTN 95-2 IN modular spacing 25 mm, insulated yes, number of poles 2, color grey, height 34.2 mm, mounting method screwable, inflammability class of insulation material acc. with ul94 V0



|                    |               |
|--------------------|---------------|
| Commercial Art.No. | 0D.S95.3227.0 |
| EAN                | 4049088724169 |
| Order Unit         | 100           |

## Technical data

### general

|  |                 |
|--|-----------------|
| color  | grey            |
| inflammability class of insulation material acc. with UL94 | V0              |
| width/grid dimension                                       | 44 mm           |
| length   | 39.5 mm         |
| modular spacing  | 25 mm           |
| number of bridged clamps                                   | 2               |
| mounting method  | screwable       |
| insulated  | yes             |
| model  | cross connector |
| height   | 34.2 mm         |

### classification

|          |          |
|----------|----------|
| ETIM 9.0 | EC000489 |
|----------|----------|

### product compliance

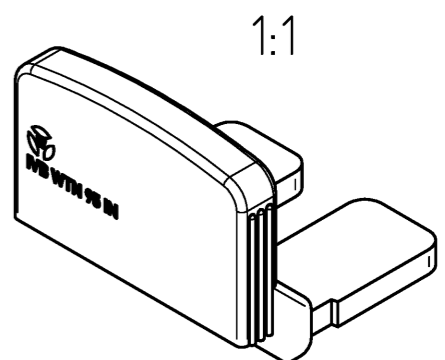
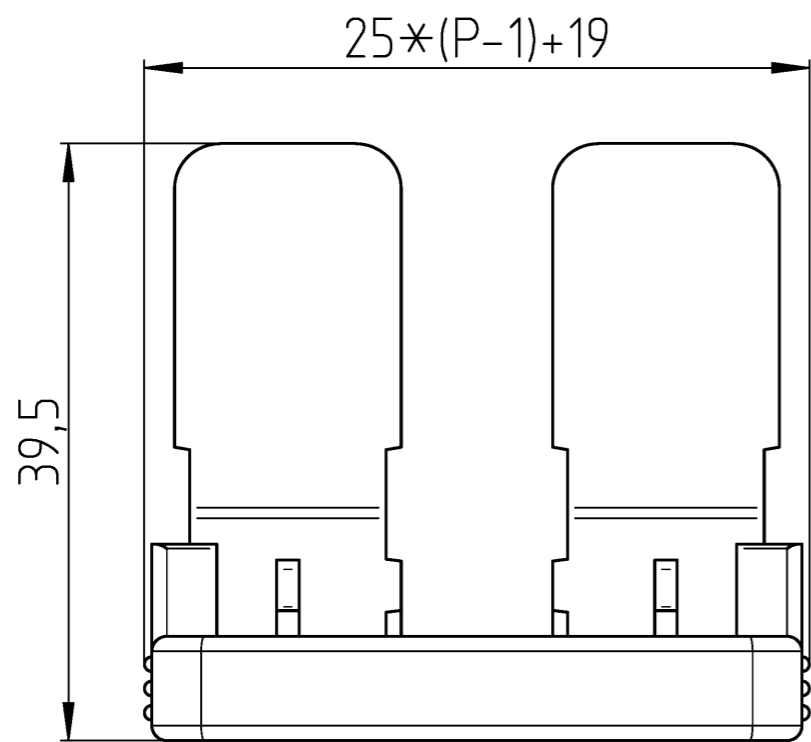
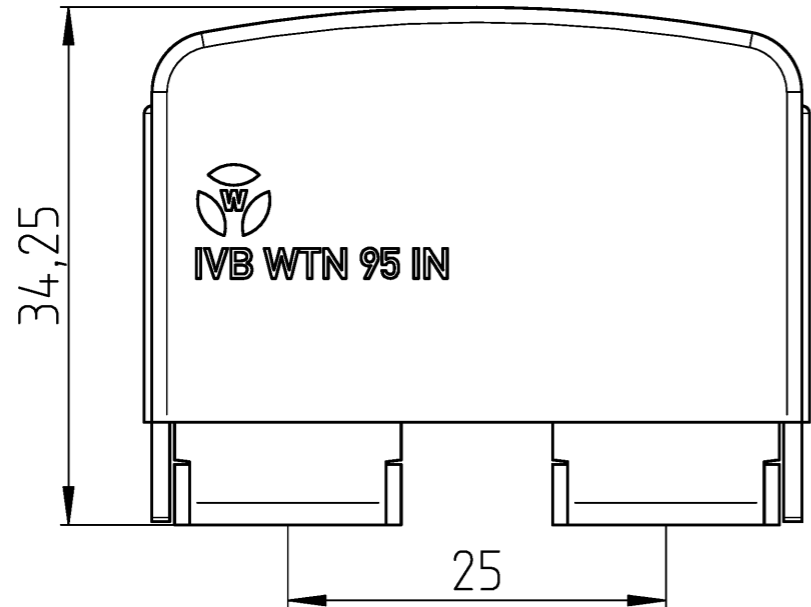
|                              |           |
|------------------------------|-----------|
| REACH-SVHC conformity status | compliant |
|------------------------------|-----------|

Alle Rechte vorbehalten  
 All rights reserved  
 Vertraulichkeitsklasse  
 Confidentiality Class: Vertraulich  
 Confidential

These dimensions will be especially checked at delivery  
 Only inspection dimensions  
 With /E marked dimensions are only valid for internal use

Diese Maße werden bei Abnahme besonders geprüft  
 Ausschließlich Prüfmaße  
 Mit /E gekennzeichnete Maße sind nur für interne Zwecke gültig

Bestell-Nr.  
 /order no.



Weitere Daten siehe KATALOG oder eKatalog  
 additional data see CATALOG or eCATALOG  
[www.wieland-electric.com](http://www.wieland-electric.com)  
[eshop.wieland-electric.com](http://eshop.wieland-electric.com)

|   |  |   |             |
|---|--|---|-------------|
| Tolerierung Size ISO 14405 ☺ / Tolerance system Size ISO 14405 ☺.<br>(This ISO-standard describes the envelope principle. According to the envelope principle the deviations of form and parallelism are limited by the size tolerances). |  | ja/yes <input checked="" type="checkbox"/> Stoffverbots- und Deklarationsliste nach WN 5020.010 ist einzuhalten.<br>Conformity with Wieland document WN 5020.010 e (list of prohibited / declarable hazardous substances) to be declared! |             |
| Freitoleranz nach<br>General tolerance  |  | CAD - Zeichnung, keine manuellen Änderungen<br>CAD - drawing, no manual modifications allowed   |             |
| 1. Verwendung:<br>First Use:  |  | Blatt: 1 von 1<br>Sheet: 1 of 1   |             |
| Werkstoff / Material  |  | Tag/Date  | Name        |
| Maßstab / Scale   |  | gezeichnet<br>drawn   | Eichhorn N. |
| 2:1   |  | Elektronische Freigabe<br>Electronic Release  |             |
| Vol. mm <sup>3</sup> / Of. / Srf. mm <sup>2</sup>   |  | Ersatz für / Replacement for:   |             |
| Index   |  | Benennung/Title   |             |
| Datum / Blatt<br>Date / Sheet   |  | Date / Sheet  |             |
| Änderung / Revision   |  | Änderung / Revision   |             |
| wieland   |  | EINLEGEBRUECKE<br>connection plug   |             |
| Zeichnung Nr. / Drawing No.   |  | T 0D.S95.3227.0 13K   |             |
| Maße in mm / Dimensions are in mm   |  |   |             |

| Bestell-Nr.<br>/order no. | Polzahl P<br>/number of poles P | Typ<br>/type    | Farbe<br>/colour | VPE:<br>packaging unit: |
|---------------------------|---------------------------------|-----------------|------------------|-------------------------|
| 0D.S95.3227.0             | 2                               | IVB WTN 95-2 IN | grau / grey      | 100                     |
| 0D.S95.3327.0             | 3                               | IVB WTN 95-3 IN | grau / grey      | 50                      |